



## IP CONVERSION WHERE YOU NEED IT

**Highly configurable**

ST 2110 to HDMI | HDMI to ST 2110

ST 2110 to SDI | SDI to ST 2110

## MEDIORNET FUSION IP EDGE DEVICE

The FusioN series of compact standalone I/O and processing devices can be configured with a range of software apps to act as IP gateways or encoders/decoders. With FusioN 3, FusioN 3 Fanless and FusioN 6, there are three miniature frames available, each with a flexible set of inputs and outputs and reprogrammable with different software functions. Due to their small form factor and low power consumption, the devices can be placed close to signal sources or destinations, creating powerful efficiencies in any production environment.

### Standalone Miniature Gateway

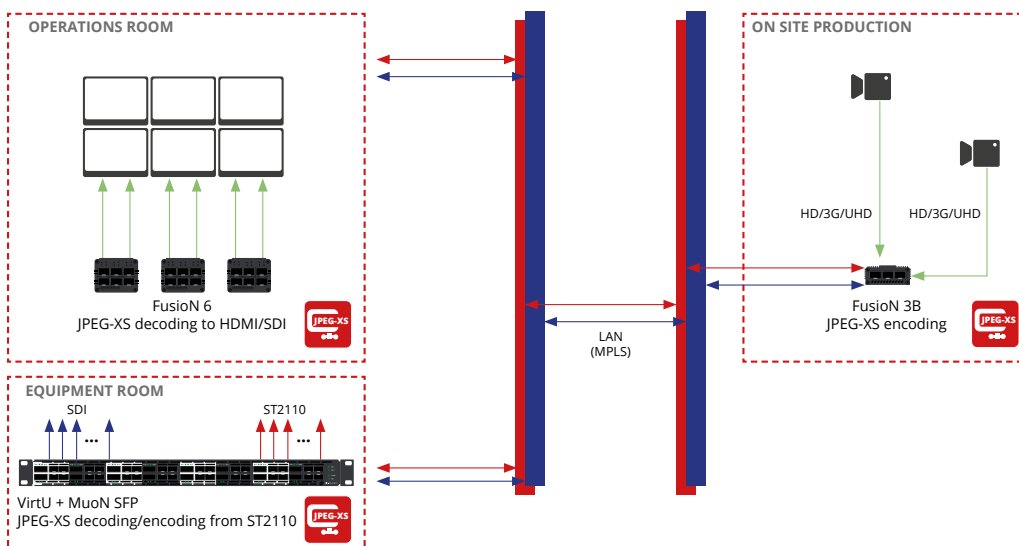
MediorNet FusioN addresses multiple connectivity scenarios between SDI/HDMI and fiber optical to IP ST 2110 formats – and can also handle compressed formats such as JPEG-XS. Its small form-factor makes it perfectly suitable to be installed behind a monitor or near a camera, instantly making your HDMI monitor or SDI camera ST 2110 capable! The FusioN frame provides a dual set of fiber transceivers for support of ST 2022-7 hitless redundancy.

### Key Benefits

- Quiet and compact, can be installed on the back of HDMI monitors
- Versatile software-defined hardware, can act as a gateway, JPEG-XS encoder/decoder or a video splitter
- Flexible inputs and outputs via a selection of SFP modules
- Ultra-dense I/O capacity of up to 8 signals
- IP enable any source, any essence, anywhere
- Ease of integration using open API

### PTZ Camera Control

The FusioN 6B edge device can also be used for remote control of PTZ cameras. With its small form factor, FusioN can be placed close to the camera, even in tight spaces. FusioN provides timing and a control link to the camera and takes the SDI signal from the camera, converts it to IP for easy transport over fiber via media links. At the monitor end, another FusioN will take the IP signal and convert it into an HDMI signal for easy connections to any HDMI enabled monitor.



### Signal Contribution with JPEG-XS

MediorNet enables the transmission of feeds between different locations for contribution or for live remote production with the JPEG-XS encode/decode application.

This product establishes the mark by combining the gateway conversion to or from IP ST 2110 with the encoder and decoder, while also providing SDI connectivity. The app is available for the FusioN standalone frames and the VirtU 32 media hub.



**Customer Spotlight: North Point Ministries**

North Point Ministries distributes signals across campuses through an ST 2110 routing network connected via dark fiber. Eight FusioNs are placed at the edge for signal conversion of IP ST 2110 signals to/from SDI and HDMI enabling easy access to sources and displays. Twenty-one MediorNet MuoNs inside a MediorNet VirtU 32 signal processing hub and other COTS switches handle other signal conversion and processing, including the up down and cross conversion of HD and UHD.

*"MediorNet really allowed us to pull our campuses together on a single connected system."* [ Matthew Drury, North Point Ministries ]



**Customer Spotlight: MIXI Inc.**

As part of an end-to-end automation system for live streaming, FusioN 6B is converting SDI signals to the SMPTE ST 2110 format while providing a fiber optic connection between MIXI's Tokyo-based data center and its production studio.

*"With its space-saving design, low cost per port, and ease of management, the FusioN 6B was an easy choice. With the gateway in our workflow, we've realized a fully automated video streaming system that greatly lowers the cost of deployment by dramatically reducing the number of operators required."* [ Taichi Sato, MIXI Inc. ]



**Customer Spotlight: Forward Thinking Design**

Pairing MediorNet IP products with the Q-SYS control system through Riedel's open API, Forward Thinking Designs was able to build a cost-effective and highly customized control system for audio, video, intercom, and GPI.

*"Being able to control the FusioN routes, while also controlling the whole AVL system within one platform, is a tremendous advantage. By controlling the routes down to a granular level, we are able to build highly customized control systems for the customer."* [ Evan Hall, Forward Thinking Designs ]

**Features**


- Software-defined hardware with up to 3 Apps stored on the device
- Two 25GE or 10GE ports for ST 2022-7 up-link redundancy
- Auto-sensing of HD/3G and 12G formats
- SM or MM 10/25GE fiber optic support
- Field upgradable

The **FusioN 3B Fanless** provides **silent processing** and conversion right where you need it. Perfectly suitable for post-production operations as its quiet operation allows it to be placed in post-production suites, even right next to operators.



**FusioN 3B**  
 23.3mm x 57mm x 94.8mm  
 .917" x 2.244" x 3.732"  
 Weight: 68g / .150lb  
 Noise: 40 dBA



**FusioN 3B Fanless**   
 41.5mm x 130mm x 94.8mm  
 1.634" x 5.118" x 3.732"  
 Weight: 101g / .223lb  
 Noise: 0 dBA



**FusioN 6B**  
 44mm x 44.7mm x 109.2mm  
 1.732" x 1.760" x 4.299"  
 Weight: 55g / .121lb  
 Noise: 42 dBA