

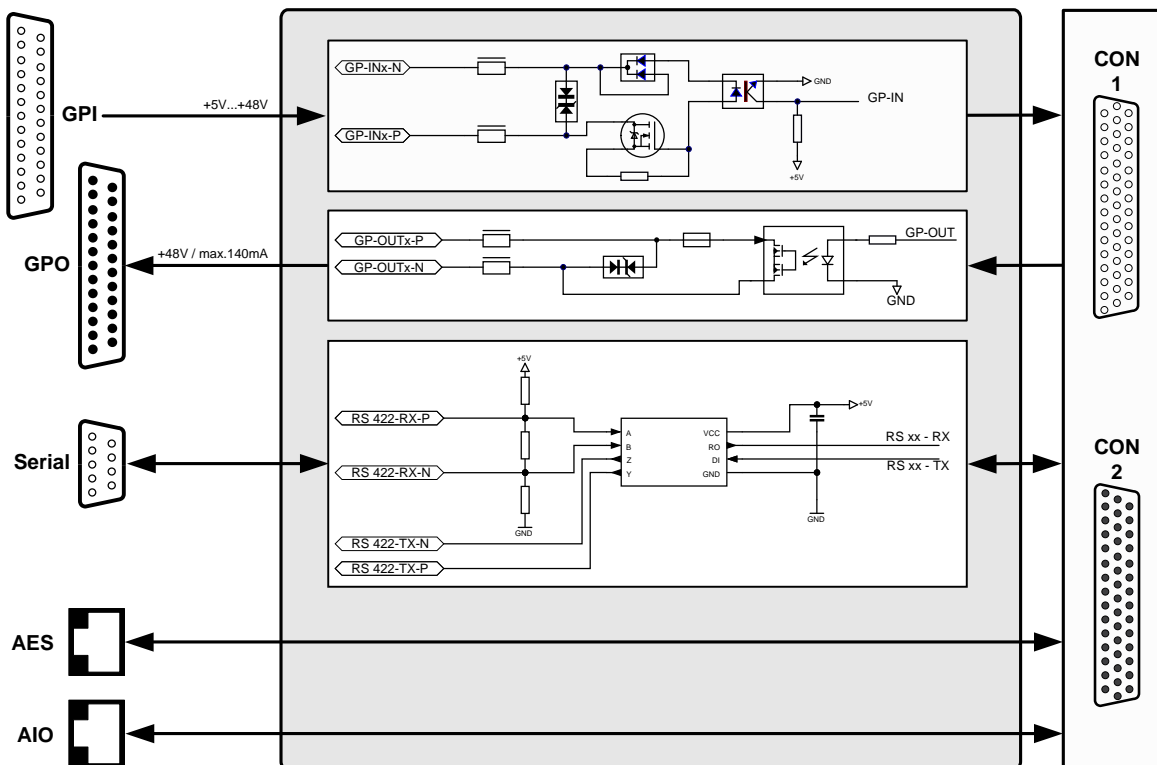
MediorNet MN-MBP

The MN-MBP is the Audio and Control Data Breakout for the MN-MIO.



- 12 x GPI In
- 12 x GPI Out
- 4 x RS-422
- 8 x bi-directional AES3
- 8 x Analog Audio In/Out
- The AES and AIO signals are passed through the MN-MBP and are processed in the MN-MIO
- 2 HDsub44 connectors for MN-MIO connection
- Male/female connectors for reverse plug protection
- 19" / 1RU rack mounting

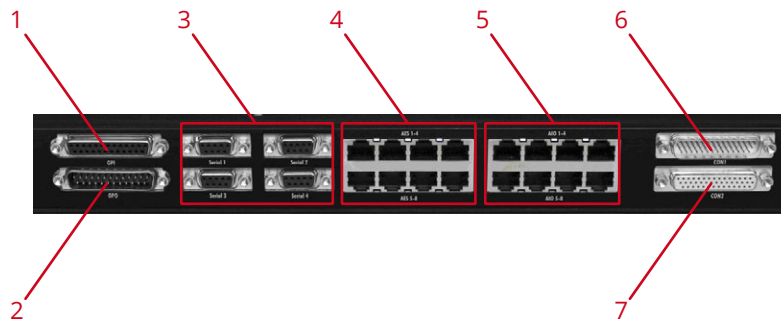
Block Diagram



Technical Specifications

Bi-Directional Ports	
Serial	RS422 Max. Supported Baud rate 250 kBaud
AES	The AES specifications are listed in the MN-MIO Datasheet

MediorNet MN-MBP



Legend

- 1) GPI In Ports 1...12
- 2) GPI Out Ports 1...12
- 3) Serial Ports 1...4
- 4) AES Ports 1...8
- 5) AIO In/Out Ports 1...8
- 6) Connector 1 to MN-MIO
- 7) Connector 2 to MN-MIO

Inputs

GPI In	Galvanically Isolated Opto-Coupler Inputs
Isolation Voltage	500 Vdc
Maximum Voltage	48 Vdc
Input Current	5 mA

Analog Audio Mic/Line In	The AIO specifications are listed in the MN-MIO Datasheet
---------------------------------	---

Outputs

GPI Out	Galvanically Isolated Solid State Relay Output
Isolation Voltage	500 Vdc
Maximum Voltage	48 Vdc
Maximum Current	140 mA

Analog Audio Line Out	The AIO specifications are listed in the MN-MIO Datasheet
------------------------------	---

Pinout

GPI In (Sub-D-25 female)				GPI Out (Sub-D-25 male)				Serial (Sub-D-9 female)			AES (RJ45)		AIO (RJ45)		
13			14	1			14	5			9	1			12
Pin	Signal	Pin	Signal	Pin	Signal	Pin	Signal	Pin	Signal	Pin	Signal	Pin	Signal	Pin	Signal
1	GP-IN1-P	14	GP-IN1-N	1	GP-OUT1-P	14	GP-OUT1-N	1	RS422-TX-N	1	AES-RX-P	1	nc		
2	GP-IN2-P	15	GP-IN2-N	2	GP-OUT2-P	15	GP-OUT2-N	2	nc	2	AES-RX-N	2	nc		
3	GP-IN3-P	16	GP-IN3-N	3	GP-OUT3-P	16	GP-OUT3-N	3	RS422-RX-P	3	AES-TX-P	3	nc		
4	GP-IN4-P	17	GP-IN4-N	4	GP-OUT4-P	17	GP-OUT4-N	4	RS422-TX-P	4	nc	4	AIO-RX-P		
5	GP-IN5-P	18	GP-IN5-N	5	GP-OUT5-P	18	GP-OUT5-N	5	GND	5	nc	5	AIO-RX-N		
6	GP-IN6-P	19	GP-IN6-N	6	GP-OUT6-P	19	GP-OUT6-N	6	RS422-RX-N	6	AES-TX-N	6	nc		
7	GP-IN7-P	20	GP-IN7-N	7	GP-OUT7-P	20	GP-OUT7-N	7	nc	7	nc	7	AIO-TX-P		
8	GP-IN8-P	21	GP-IN8-N	8	GP-OUT8-P	21	GP-OUT8-N	8	nc	8	nc	8	AIO-TX-N		
9	GP-IN9-P	22	GP-IN9-N	9	GP-OUT9-P	22	GP-OUT9-N	9	nc						
10	GP-IN10-P	23	GP-IN10-N	10	GP-OUT10-P	23	GP-OUT10-N								
11	GP-IN11-P	24	GP-IN11-N	11	GP-OUT11-P	24	GP-OUT11-N								
12	GP-IN12-P	25	GP-IN12-N	12	GP-OUT12-P	25	GP-OUT12-N								
13	GND			13	GND										

Maximum cable length

maximum distance between MN-MIO card and Multi-Breakout-Panel	3m
---	----

System Transport Latencies

Serial Data / GPI	93.75 μ s + 10 μ s per MN hop + optical delay on long fibers
-------------------	--

Overall

Environmental Temperature	-5 °C to +40 °C (Non-condensing)
Supply Voltage	5 VDC (supplied by MN-MIO)
Power Consumption	1 W
Dimensions (w×h×d)	483 mm (19") × 44 mm (1RU) × 62 mm
Weight	1450 g