



Application Examples – MN-ST-AL-2

Solutions and Market Stories

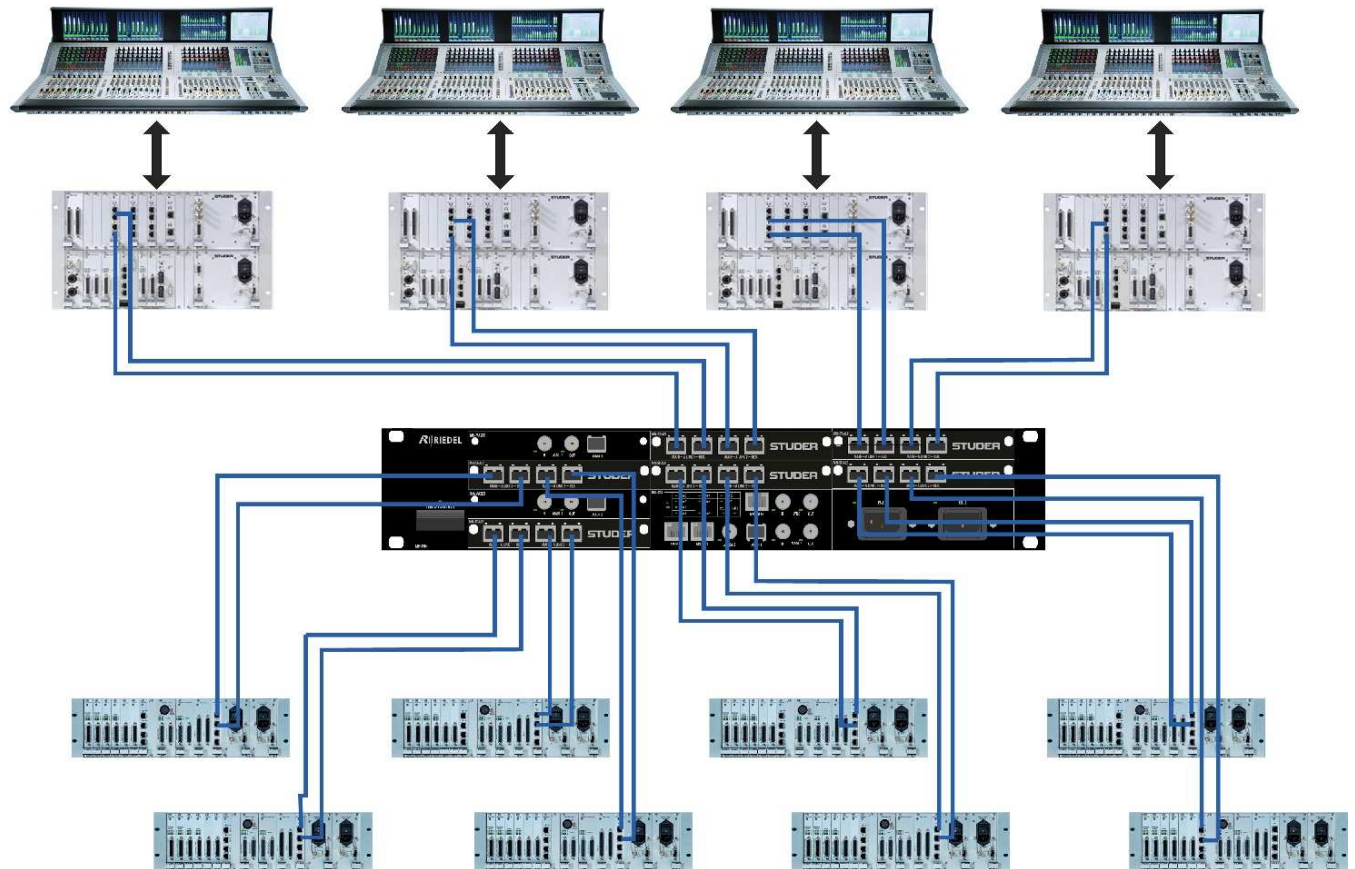
Three main solutions and stories to the market

- MediorNet as a large Audio Router
 - Large in one box
 - Networked
 - Very large
- MediorNet as a Video breakout / extension to Studer systems
- Studer integration into MediorNet Systems

MediorNet as a large Audio Router

System example:

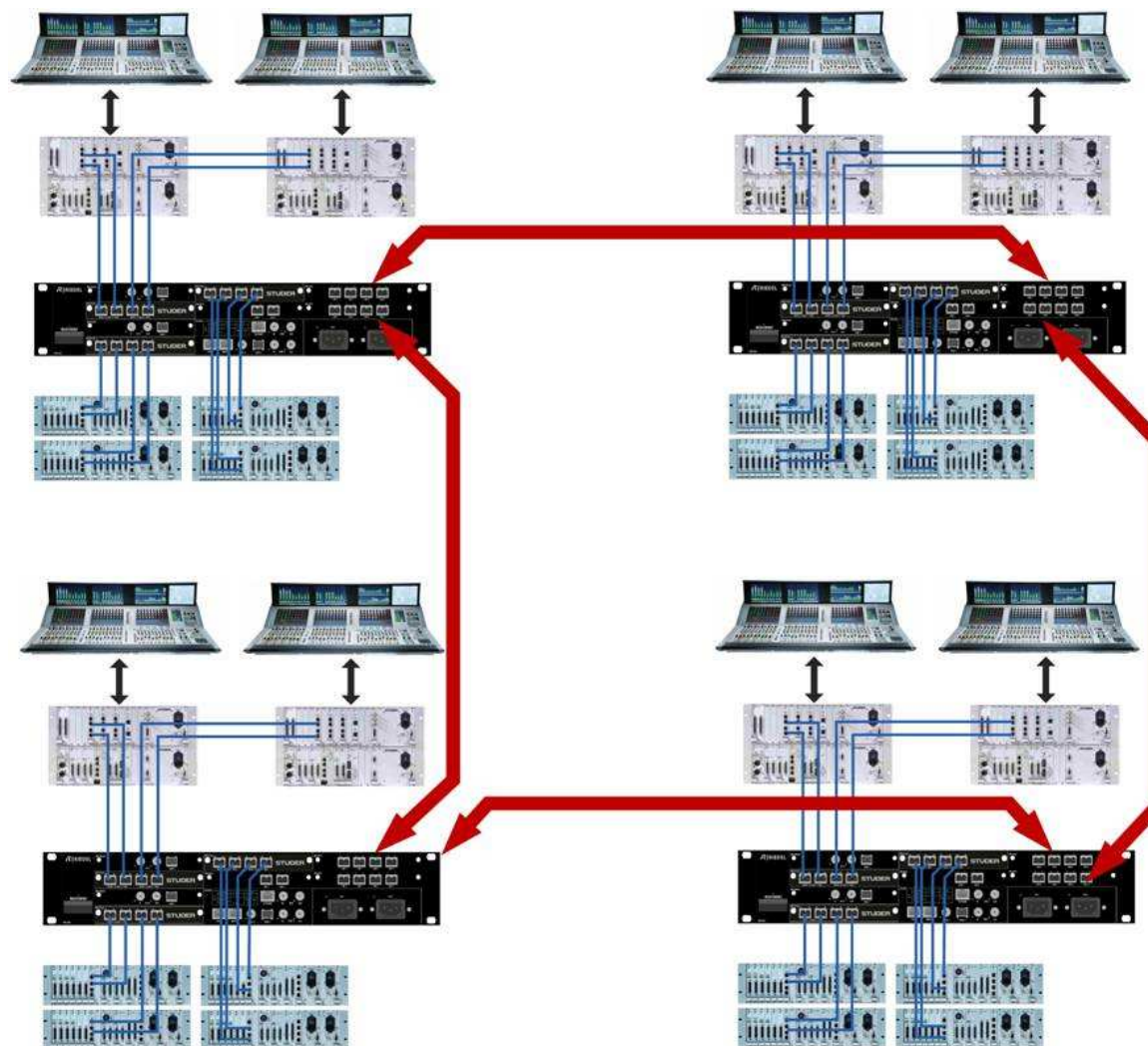
- 4608ch² in one unit (12 x 384ch)
- Redundant A-Link Ports
- Additional Madi/Rocknet ports possible



MediorNet as a large networked Audio Router

System example #2:

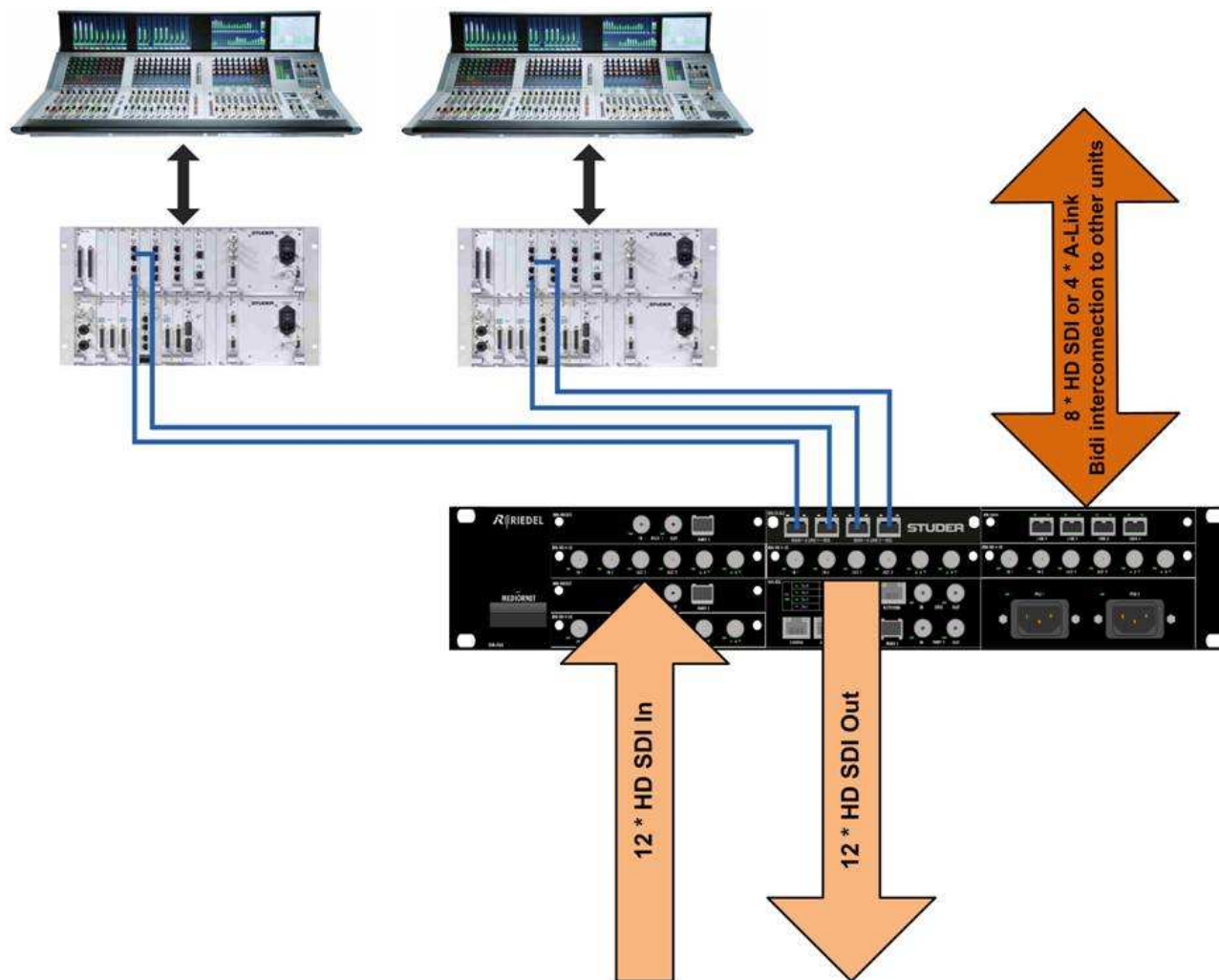
- Networked Router (9216ch² in this case)
- Non-blocking or blocking layout with shared bus
- Synch distribution over MediorNet
- Additional capacity for
 - Madi
 - Ethernet Tunneling
 - AES
 - Rocknet
 - GPI, Serial
 - SDI



MediorNet as a Video Interface to Studer Systems

System example #3:

- MediorNet used as
 - De-embedder/Embedder
 - Timecode insertion
 - Text insertion
 - Frame Synchronizer
 - Quad Split
 - Scaler
- Networkable for Video and Audio (& Ethernet, Madi, GPI



General Studer Integration into MediorNet

System example #4:

- Customer has decided for MediorNet anyway
- Studer becomes candidate as a console solution
- MediorNet distributes Studer components throughout the network and integrates the Studer systems with any Audio in the system

