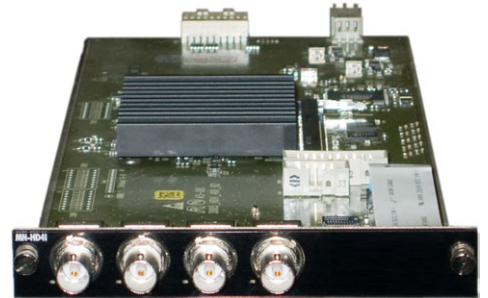


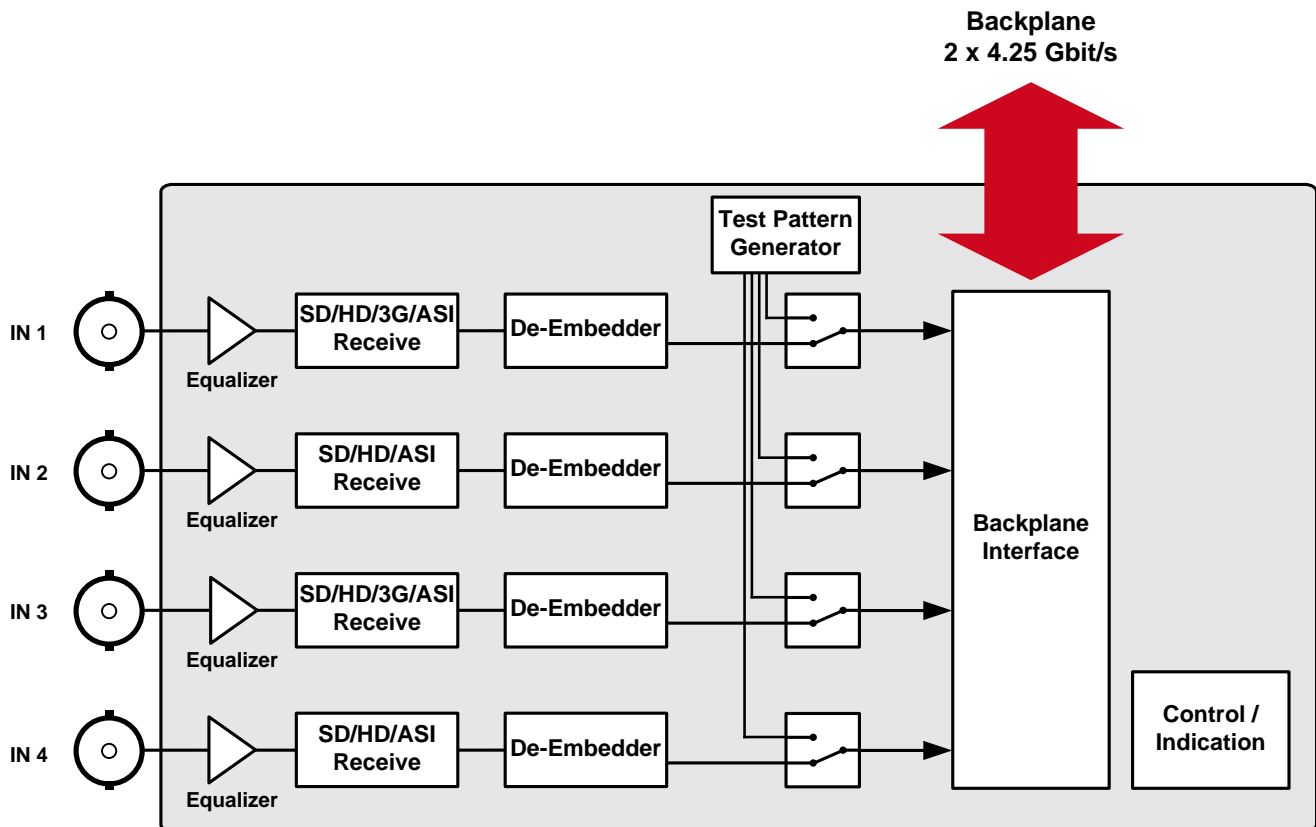
MediorNet MN-HD-4I

The MN-HD-4I Card provides four inputs for Video signals.

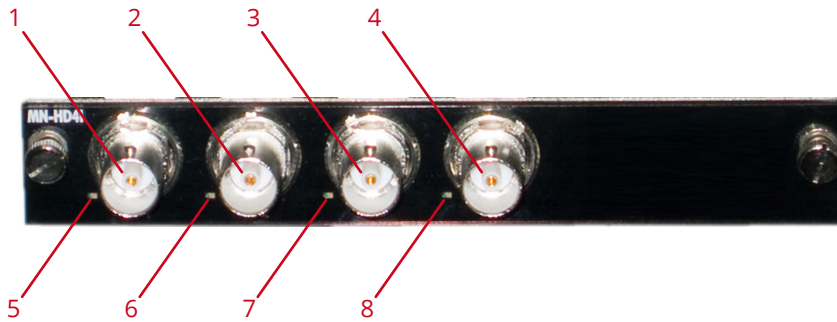
- 4 inputs with BNC connectors
- 4 HD/SD-SDI/ASI Video signals
or
2 3G-SDI Video signals
- Each input operates independently
- Auto Format Detection
- Audio De-Embedder (4 groups) with Sample Rate Converter
- Video Test Pattern Generator
- The MN-HD-4I Card must be fitted into a High-Speed slot and it occupies one slot, so it can be placed in the slots 1, 5, 6, 7, 9 and 10 of the Modular mainframe.



Block Diagram



MediorNet MN-HD-4I



Legend

- 1) Input Port 1
- 2) Input Port 2
- 3) Input Port 3
- 4) Input Port 4
- 5) Status LED Port 1
- 6) Status LED Port 2
- 7) Status LED Port 3
- 8) Status LED Port 4

Status LEDs

	off	green	orange	red
Video In status	No input signal	Valid Video signal input	Test Pattern active	Invalid Video signal input

Inputs

SDI-Video	75 Ω SD/HD/3G Serial Digital with embedded Audio (4 groups)
Input Standards	1.5 Gbps HD-SDI SMPTE292M, 3 Gbps 3G-SDI SMPTE424M/425M Level A - mapping structure 1, SMPTE425M Level B 270 Mbps SD-SDI SMPTE259M, DVB-ASI SMPTE259M/EN50083
Cable Equalization	> 230m @ 1,5Gbps, > 140m @ 3Gbps, >250m @ 270Mbps (Belden 1694A)

System Transport Latencies

Video/Audio Transport Delay	Min. 500 μs, Max. 1 Frame + 150 μs (depending on system synchronisation setup)
-----------------------------	--

Overall

Environmental Temperature	-5 °C to +40 °C (Non-condensing)
Supply Voltage	12 VDC
Power Consumption	13 W
Dimensions (w×h×d)	132 mm × 20 mm × 307 mm
Weight	350 g