

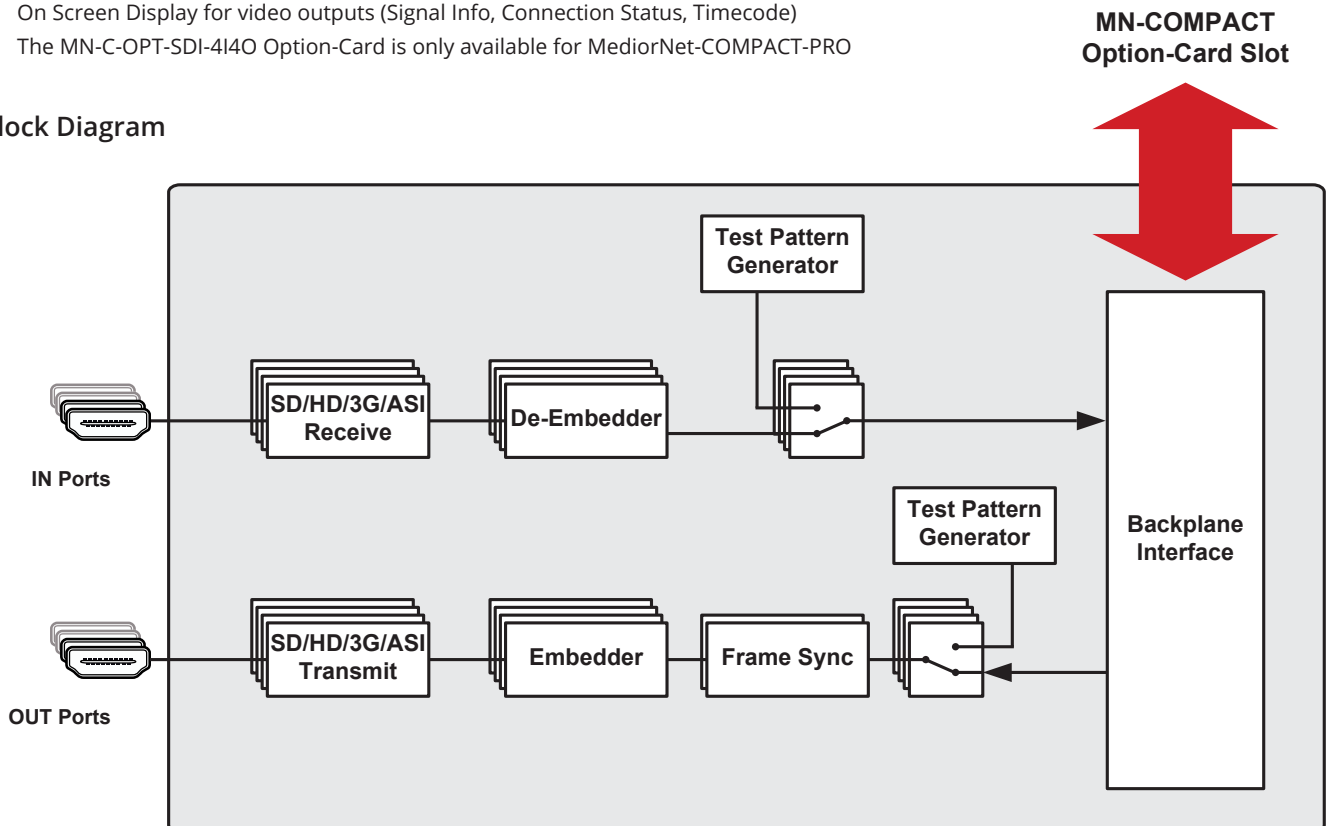
MediorNet MN-C-OPT-HDMI

The MN-C-OPT-HDMI-xxxx Option-Card provides inputs and outputs for HDMI Video signals.

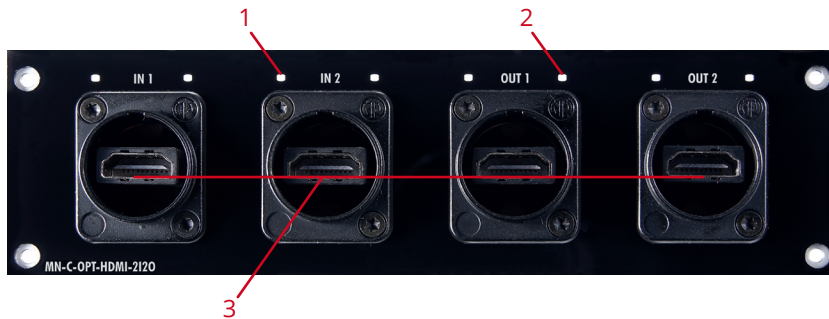


- HDMI-4I:
 - 4x HDMI 1.3a Inputs
- HDMI-4O:
 - 4x HDMI 1.3a Outputs
- HDMI-2I2O:
 - 2x HDMI 1.3a Inputs
 - 2x HDMI 1.3a Outputs
- Neutrik D-Type HDMI socket
- 8 Channel audio embedding / 2 Channel audio de-embedding
- HDCP is not supported
- All inputs and outputs support 3G/HD/SD-SDI/ASI Video signals
- Auto Format Detection
- Frame Synchronizer
- Video Delay
- Audio De-Embedder (4 groups) with Sample Rate Converter
- Audio Embedder (4 groups)
- Audio Delay for Embedder up to 1s in steps of 1ms
- Video Test Pattern Generator
- On Screen Display for video outputs (Signal Info, Connection Status, Timecode)
- The MN-C-OPT-SDI-4I4O Option-Card is only available for MediorNet-COMPACT-PRO

Block Diagram



MediorNet MN-C-OPT-HDMI



Legend

- 1) Status LEDs HDMI Inputs
- 2) Status LEDs HDMI Outputs
- 3) HDMI Ports

Status LEDs

| | off | green | orange | red |
|------------------|------------------|--------------------------|---------------------|--|
| Video In status | No input signal | Valid Video signal input | Test Pattern active | Invalid Video signal input |
| Video Out status | No output signal | Valid Video signal | Test Pattern active | Invalid Video signal on input, no output |

Input

| | |
|-----------|---|
| Format | HDMI 1.3a with embedded audio (2 channels) |
| Standards | SMPTE 424M, 292M, 259M |
| Signals | 525 / 625, 720p / 1080i (50 / 59.94 / 60 Hz), 1080p (23.98 / 24 / 15 / 29.97 / 30 / 50 / 59.94 / 60 Hz) |

Output

| | |
|-----------|---|
| Format | HDMI 1.3a with embedded audio (8 channels) |
| Standards | SMPTE 424M, 292M, 259M |
| Signals | 525 / 625, 720p / 1080i (50 / 59.94 / 60 Hz), 1080p (23.98 / 24 / 15 / 29.97 / 30 / 50 / 59.94 / 60 Hz) |

System Transport Latencies

| | | |
|-----------------------|--|---|
| Video Transport Delay | min 150 μ s, max 1 Frame + 150 μ s (dependent on input phase) | Frame Sync Mode (default) |
| | 500 μ s | Standard Latency |
| Digital Audio Delay | 500 μ s (standard latency, independent of Network size / frame amount) | Source Sync Mode |
| | | without sample rate converter |
| | 720 μ s + 500 μ s : 1220 μ s | with sample rate converter |
| | | 360 μ s + 500 μ s : 860 μ s |

Overall

| | |
|---------------------------|----------------------------------|
| Environmental Temperature | -5 °C to +40 °C (Non-condensing) |
| Supply Voltage | 12 VDC |
| Power Consumption | 8 W |
| Dimensions (w×h×d) | 171 mm × 50 mm × 160 mm |
| Weight | 480 g |