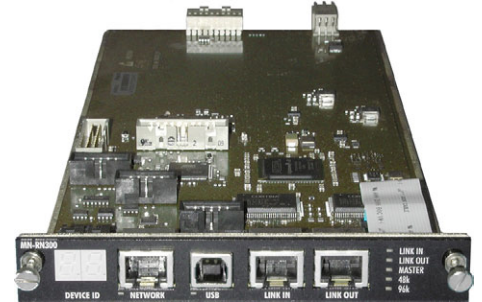


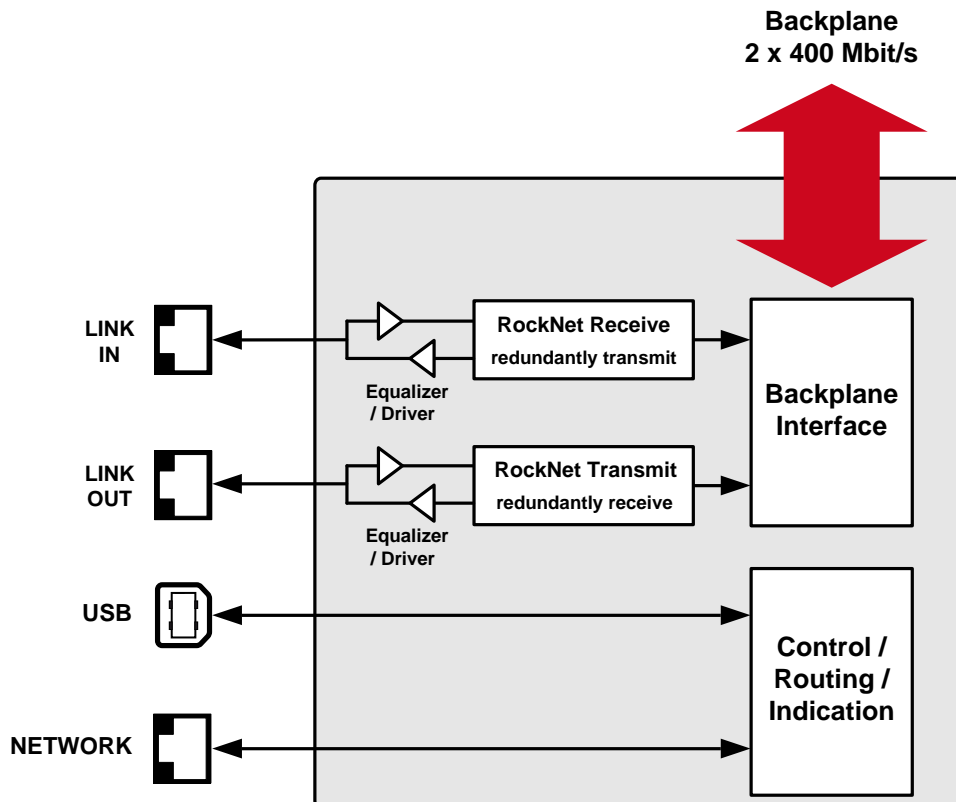
MediorNet MN-RN300

The MN-RN300 Card provides the audio connection to Riedel RockNet Digital Audio network.

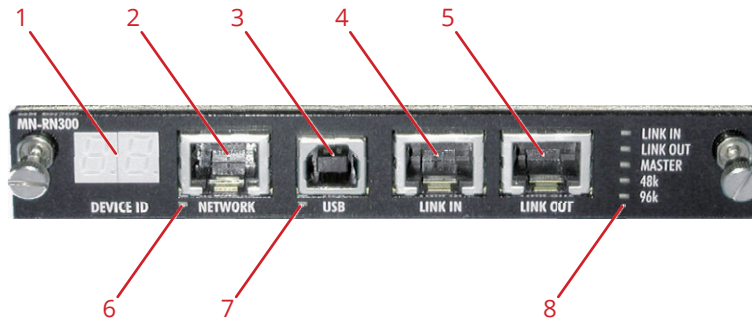
- 1 uplink CAT5 connector
- 1 downlink CAT5 connector
- Maximum breakout of 128 Audio channels
- Redundant ring network
- The MN-RN300 Card must be fitted into a Low-Speed slot and it occupies one slot, so it can be placed in the slots 3 and 8 of the Modular mainframe.



Block Diagram



MediorNet MN-RN300



Legend

- 1) DEVICE ID Display
- 2) NETWORK Port
- 3) USB Port
- 4) LINK IN Port
- 5) LINK OUT Port
- 6) Status LED NETWORK Port
- 7) Status LED USB Port
- 8) Status LEDs

Status LEDs

	off	green	orange
Network	Network not connected	Network connected	--
USB	USB not connected	USB connected	--
LINK IN	No CAT5 cable connected to neighbor device	Communication OK / synchronization OK	Communication OK / synchronization missing
LINK OUT	No CAT5 cable connected to neighbor device	Communication OK / synchronization OK	Communication OK / synchronization missing
MASTER	Device is sync slave	Device is sync master	Non active sync master
48k	--	48k sampling rate	--
96k	--	96k sampling rate	--

Bi-Directional Ports

RockNet LINK IN/OUT	Direct Connection of RockNet Digital Audio Network Resolution 24 Bit
---------------------	---

System Transport Latencies

Audio Transport Delay	Min. 500 μ s, Max. 1 Frame + 150 μ s (depending on system synchronisation setup)
-----------------------	--

Overall

Environmental Temperature	-5 °C to +40 °C (Non-condensing)
Supply Voltage	12 VDC
Power Consumption	4 W
Dimensions (w×h×d)	132 mm × 20 mm × 307 mm
Weight	225 g