

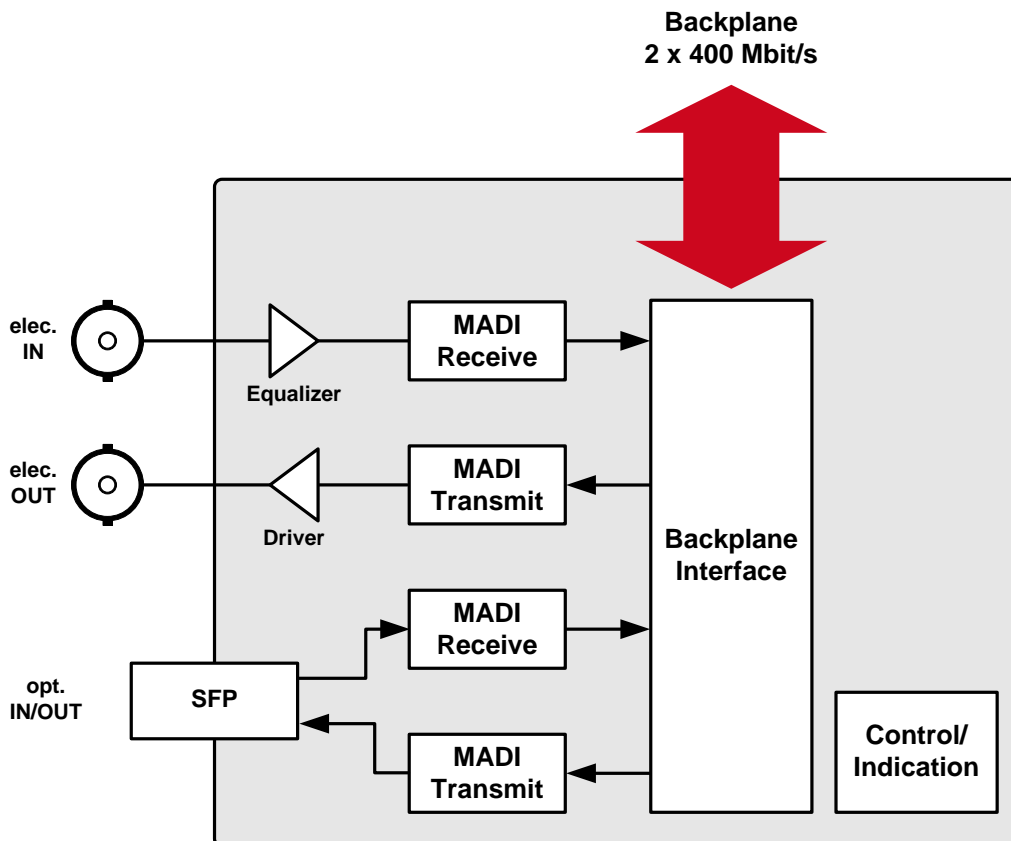
MediorNet MN-MA2-EO

The MN-MA2-EO Card provides two in-/outputs for MADI signals.

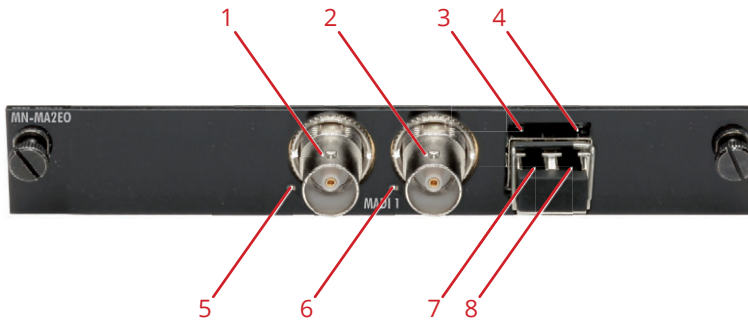
- 1 bi-directional electrical MADI Port via two BNC connectors
- 1 bi-directional optical MADI Port via SFP module
- 56 or 64 channels on each interface at 48 kHz
- 28 or 32 channels on each interface at 96 kHz
- Test Signal Generators on output channels
- The MN-MA2-EO Card must be fitted into a Low-Speed slot and it occupies one slot, so it can be placed in the slots 3 and 8 of the Modular mainframe.



Block Diagram



MediorNet MN-MA2-EO



Legend

- 1) BNC Input connector
- 2) BNC Output connector
- 3) left SFP Status LED
- 4) right SFP Status LED
- 5) BNC Input Status LED
- 6) BNC Output Status LED
- 7) SFP TX Port
- 8) SFP RX Port

Status LEDs

	off	green	red
BNC input / left SFP	No valid MADi signal on input	Valid MADi signal (input locked)	<i>only left SFP: RX Power warning/error</i>
BNC output / right SFP	No valid Audio signal present	Valid Audio signal present (at least 1 MADi/AES3 connection present)	--

Bi-Directional Ports

	Multi Channel Digital Audio as per AES 10-2003 48 / 96 kHz		
MADI	Channel Modes	56 ch / 64 ch @ 48 kHz	
		28 ch / 32 ch @ 96 kHz	
	Resolution	24 Bit	
SFP Specifications	The specifications of all Riedel recommended SFP modules are listed in the MN-SFP Datasheet		

System Transport Latencies

Audio Transport Delay	Min. 500 µs, Max. 1 Frame + 150 µs (depending on system synchronisation setup)
-----------------------	--

Overall

Environmental Temperature	-5 °C to +40 °C (Non-condensing)
Supply Voltage	12 VDC
Power Consumption	3 W (without SFP)
Dimensions (w×h×d)	132 mm × 20 mm × 318 mm
Weight	230 g