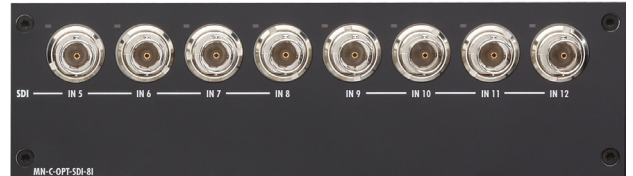


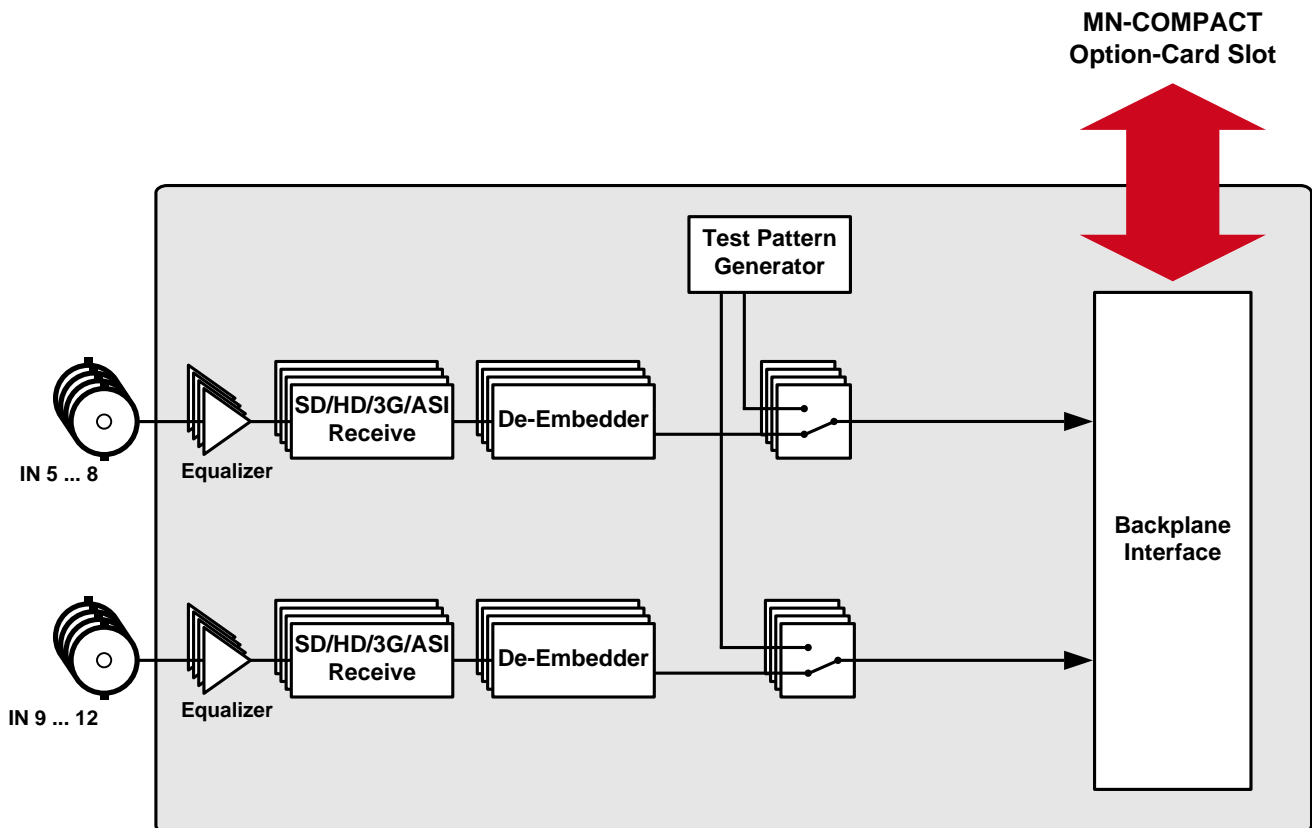
MediorNet MN-C-OPT-SDI-8I

The MN-C-OPT-SDI-8I Option-Card provides eight inputs for Video signals.

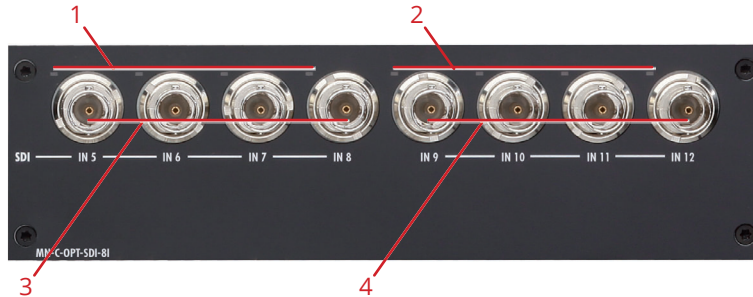
- 8 inputs with BNC connectors
- All inputs support 3G/HD/SD-SDI/ASI Video signals
- Auto Format Detection
- Audio De-Embedder (4 groups) with Sample Rate Converter
- Video Test Pattern Generator
- The MN-C-OPT-SDI-8I Option-Card is only available for MediorNet-COMPACT-PRO



Block Diagram



MediorNet MN-C-OPT-SDI-8I



Legend

- 1) Status LEDs Input Port 5 ... 8
- 2) Status LEDs Input Port 9 ... 12
- 3) Input Port 5 ... 8
- 4) Input Port 9 ... 12

Status LEDs

	off	green	orange	red
Video In status	No input signal	Valid Video signal input	Test Pattern active	Invalid Video signal input

Inputs

SDI-Video	75 Ω SD/HD/3G Serial Digital with embedded Audio (4 groups)			
Input Standards	1.5 Gbps HD-SDI SMPTE292M, 3 Gbps 3G-SDI SMPTE424M/425M Level A – mapping structure 1, SMPTE425M Level B			
Cable Equalization	270 Mbps SD-SDI SMPTE259M, DVB-ASI SMPTE259M/EN50083			
	> 230m @ 1,5Gbps, > 140m @ 3Gbps, >250m @ 270Mbps (Belden 1694A)			

System Transport Latencies

Video Transport Delay	min 150 μs, max 1 Frame + 150 μs (dependent on input phase)		Frame Sync Mode (default)
	500 μs		Standard Latency
Digital Audio Delay	500 μs (standard latency, independent of Network size / frame amount)		Source Sync Mode
	720 μs + 500 μs : 1220 μs		without sample rate converter
	360 μs + 500 μs : 860 μs	48 kHz sample rate	with sample rate converter
		96 kHz sample rate	+ standard latency

Overall

Environmental Temperature	-5 °C to +40 °C (Non-condensing)		
Supply Voltage	12 VDC		
Power Consumption	5 W		
Dimensions (w×h×d)	171 mm × 50 mm × 160 mm		
Weight	300 g		